



DATASHEET

PAN SPEAKER P 08-PI – PASSIVE LINE ARRAY



Illustration in colour option, see mechanical properties

EQUIPMENT / OPTIONS



See last page for explanation of the symbols.

APPLICATIONS

Churches, museums, live PA, train stations, airports, sports facilities, legislative buildings, conference rooms, lecture halls, shopping centres, A/V presentation rooms

The **Pan Speaker P 08-Pi** is a passive line array in an attractive compact column design for speech and music applications. It is characterised by precise and natural reproduction.

The loudspeaker contains eight 3.5" HQ drivers in a linear arrangement. The enclosure is made of aluminium and can be custom-finished in any colour. The chassis are protected from external impact by a perforated metal sheet that is integrated into the design.

At the back of the **P 08-Pi** there is a 5-pin connector. The IP version has a corresponding connection cable instead of the 5-pin connector. The optional mounting accessories (wall, ceiling and tripod mounts) can be installed by inserting a slot nut in the lateral slots and the rear slot.

The **P 08-Pi** can be operated individually or in combination with subwoofers from the Pan Subwoofer series.

FEATURES

High efficiency, integrated protection circuit, high reproduction quality even in acoustically challenging environments, sleek and unobtrusive design.

MOUNTING ACCESSORIES

For the **Pan Speaker** series, there is a wide range of mounting accessories for fixed installation and mobile use.

All **Pan Speaker** loudspeakers are designed, developed and manufactured in Germany by Pan Acoustics from high quality materials and according to strict criteria.



TECHNICAL DATA PAN SPEAKER P 08-PI

ACOUSTIC PROPERTIES

Configuration:	Passive line array
Frequency range:	100 Hz - 18 kHz
Equipment:	8 x 3.5"
Rated power:	600 W (peak _{20 ms}) / 400 W (programme) / 200 W (nominal)
Recommended amplifier:	DSP power amplifier
Sensitivity:	95 dB 1 W / 1 m
Maximum SPL:	129 dB* (peak) @ 1 m
Impedance:	8 ohms
Horizontal radiation pattern:	100°
Vertical radiation pattern:	15°
Connections:	Phoenix, 5-pin (in/out)
Operating temperature:	-10 °C to +50 °C (ambient temperature)

MECHANICAL PROPERTIES

Enclosure:	Aluminium profile
Grille:	Powder-coated perforated metal sheet
Standard colours (with silver lids): (optional: lid in enclosure colour)	RAL 9006 (aluminium), anodized RAL 9010 (white), silk matt RAL 9005 (black), silk matt
Dimensions (H x W x D):	906 x 107 x 118 [mm]
Weight:	4.9 kg
Mounting option:	Other mounting accessories available.

*Under anechoic half-space conditions with DSP settings.
Frequency range: -10 dB under anechoic halfspace-conditions.



TECHNICAL DATA PAN SPEAKER P 08-PI | 100 V

ACOUSTIC PROPERTIES

Configuration:	Passive line array
Frequency range:	100 Hz - 18 kHz
Equipment:	8 x 3.5"
Rated power:	100 W / 50 W / 25 W / 12.5 W
Recommended amplifier:	DSP power amplifier
Sensitivity:	95 dB 1 W / 1 m
Maximum SPL:	121 dB* (peak) @ 1 m
Horizontal radiation pattern:	100°
Vertical radiation pattern:	15°
Connections:	1 x Phoenix, 5-pin, for power tapping (100% / 50% / 25% / 12.5%)
Operating temperature:	-10 °C to +50 °C (ambient temperature)

MECHANICAL PROPERTIES

Enclosure:	Aluminium profile
Grille:	Powder-coated perforated metal sheet
Standard colours (with silver lids): (optional: lid in enclosure colour)	RAL 9006 (aluminium), anodized RAL 9010 (white), silk matt RAL 9005 (black), silk matt
Dimensions (H x W x D):	906 x 107 x 118 [mm]
Weight:	5 kg
Mounting option:	Other mounting accessories available.

*Under anechoic half-space conditions with DSP settings.
Frequency range: -10 dB under anechoic halfspace-conditions.



TECHNICAL DATA PAN SPEAKER P 08-R

ACOUSTIC PROPERTIES

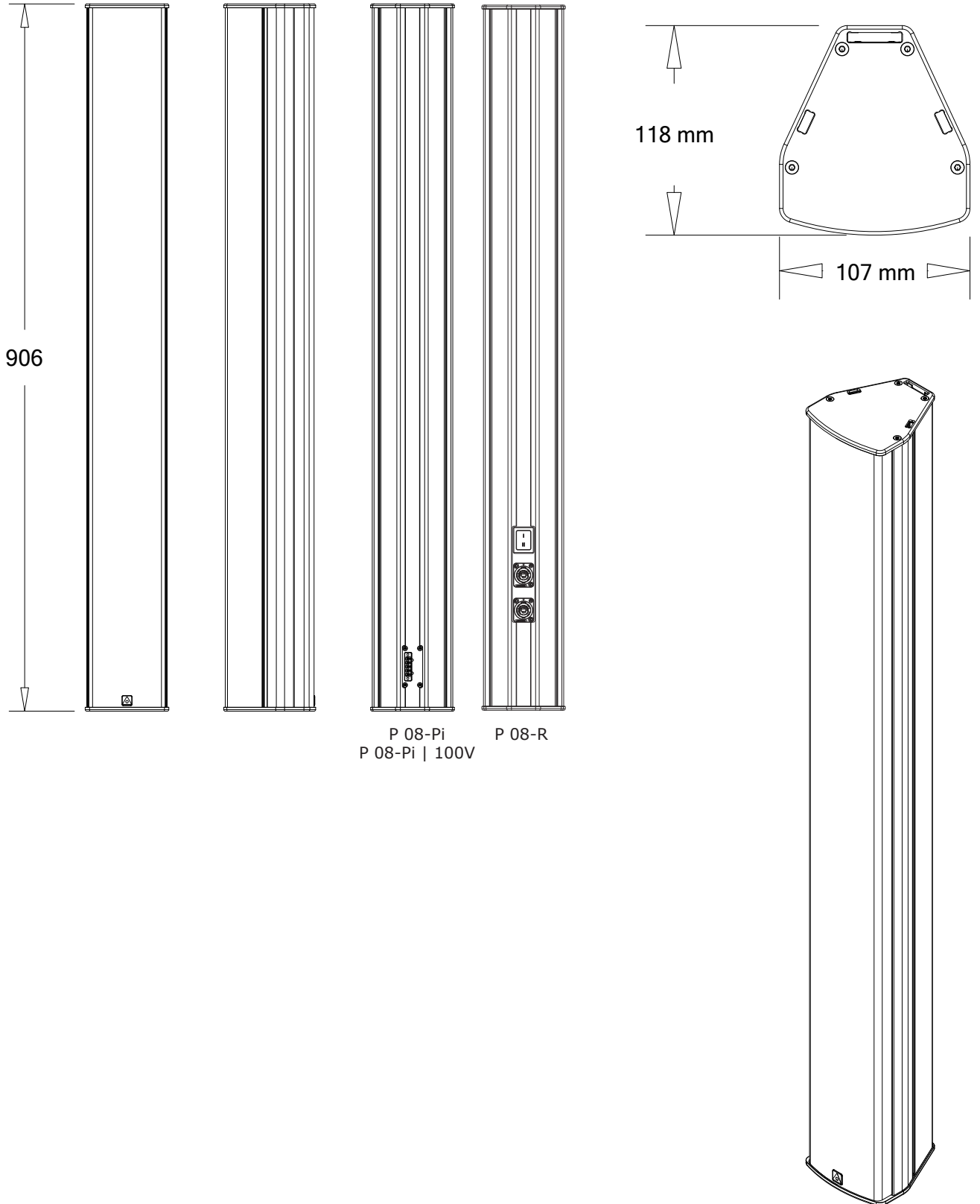
Configuration:	Passive line array
Frequency range:	100 Hz - 18 kHz
Equipment:	8 x 3.5"
Rated power:	600 W (peak _{20 ms}) / 400 W (programme) / 200 W (nominal)
Recommended amplifier:	DSP power amplifier
Sensitivity:	95 dB 1 W / 1 m
Maximum SPL:	129 dB* (peak) @ 1 m
Impedance:	8 ohms
Horizontal radiation pattern:	100°
Vertical radiation pattern:	15°
Connections:	2 x NL4 speakON + selector switch (1+/- 2+/-)
Operating temperature:	-10 °C to +50 °C (ambient temperature)

MECHANICAL PROPERTIES

Enclosure:	Aluminium profile
Grille:	Powder-coated perforated metal sheet
Standard colours (lid in enclosure colour)	RAL 9005 (black), silk matt
Dimensions (H x W x D):	906 x 107 x 118 [mm]
Weight:	5 kg
Mounting option:	Other mounting accessories available.

*Under anechoic half-space conditions with DSP settings.
Frequency range: -10 dB under anechoic halfspace-conditions.

TECHNICAL DRAWING P 08-PI // P 08-PI | 100 V // P 08-R



EQUIPMENT / OPTIONS AT GLANCE – PAN SPEAKER SERIES



Customised painting/colouring within the RAL colour range. Other colour systems such as RAL design, Pantone, etc. are available on request.



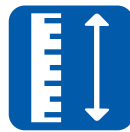
100 V audio inputs with selectable power taps.



Weatherproofing of the loudspeakers in accordance with protection classes IP54 or IP65 (depending on the model) is possible.



Looks good, sounds good. Pan Acoustics' products are defined by natural sound and attractive design.



Made-to-measure enclosure
The enclosure dimensions of the Pan Speaker series can be customised.



Accessories such as wall, tripod and ceiling mounts, different interfaces, connection cables, weather protection hoods and connection sets are available.



Ball impact resistance

Some equipment features cannot be combined. For information about which features can be combined with each other, please send an e-mail to sales@pan-acoustics.de.

Our quality promise

Pan Acoustics stands by its products and gives up to **10 years warranty** on its loudspeakers for any material or manufacturing defects. New products manufactured in accordance with protection classes IP54 and IP65 as well as digital audio interfaces (Dante®) from Audinate Pty Ltd and rechargeable batteries are excluded from the 10-year warranty. A warranty period of 3 years is granted for loudspeakers in accordance with protection classes IP54 and IP65.

